



Powerful Architectural Design

Luxury Thermal Aluminum Windows and Doors

———— T225 | 3500T | 4000T | 9000T | Oasis 10000 | Entrada 532 | CV200

Table of Contents

- Arcadia Page 4
- T225 Windows & Door Series Page 6
 - T225 Windows Page 8
 - T225 Swing Doors Page 13
- 3500T & 4000T Sliding Doors Page 24
 - 3500T Sliding Door Page 26
 - 4000T Multi-Slide Door Page 30
- 9000T Thin Line Sliding Doors Page 38
- Oasis 10000 Multi-Fold Doors Page 42
- Entrada 532 Pivot Doors Page 46
- CV200 Windows Page 48
- Colors & Finishes Page 50





Ultimate Design Flexibility

The narrow sightlines of our thermal aluminum products allow them to be used in a variety of architectural styles to effortlessly express your vision for the space. From our T225 windows and swinging doors to our sliding, pivot and multi-fold doors, Arcadia Custom is the clear choice whether you're looking for a clean, contemporary **Modern Look** or traditional **Steel Look** design.

Modern Look



Steel Look





T225 Window & Door Series

Enhancing the beauty of American homes since 1947, our high quality thermally broken T225 windows and doors, with isobar construction and narrow 2 ¼" frame depth, have the unique ability to mull all the components to each other with the narrowest of sightlines to create seamless window and door walls of glass. Our T225 products allow for either **Modern Look** or **Steel Look** designs.

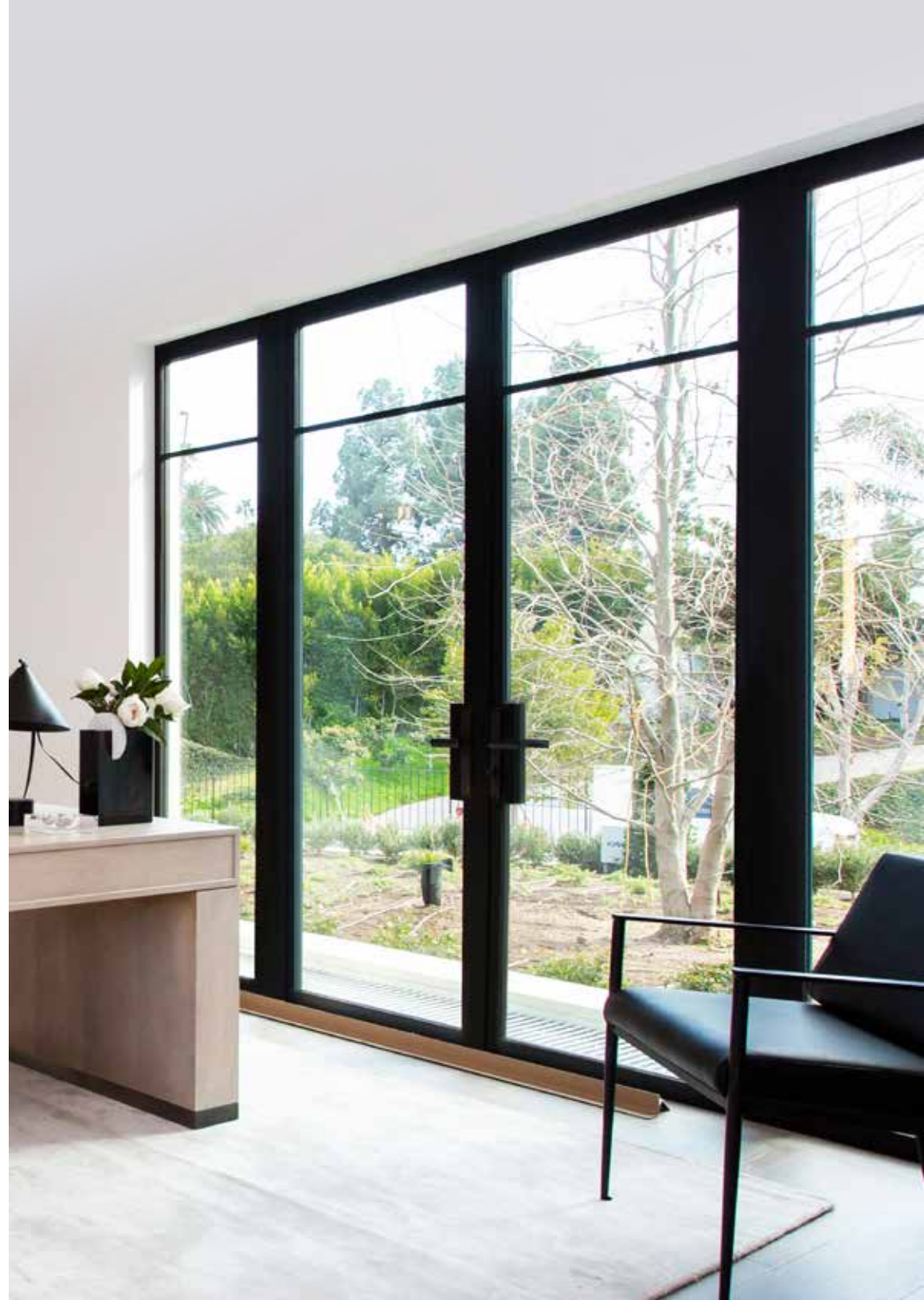
Superior Performance

Our T225 windows and doors are expertly engineered for thermal performance to meet demand for improved energy efficiency. We offer a wide variety of sizes, high performance glass options and configurations, all of which are NFRC tested with low U-value ratings for reduced energy consumption.

Shorter Lead-times, Efficiency & Value

Production lead-times for our T225 windows and doors are shorter than real steel lead-times, and we glaze our products to reduce handling and installation time. Like real steel products, our T225 products are completely customizable; plus there's a price advantage over real steel windows and doors. For value engineered jobs, we can effectively combine our T225 Thermal Aluminum products with our wide patented offering of Thermal Steel products, allowing for a truly transformative degree of design flexibility.

Modern Look





T225

Thermal Aluminum
Window & Door Series



The True Steel Alternative Option

Streamlined and refined with detailed fit and finish, our Steel Look products are nearly indistinguishable from real steel products. They retain many of the features and aesthetics of the classic original steel products: our 13/16" beveled muntin SDL that simulates the look of original putty-glazed windows, glass stop on the exterior, flat stop and SDL on the interior - the same as a real steel window, and the addition of a lock box on swinging doors, synonymous with traditional steel doors.



T225 Windows

Our T225 **Modern Look** or **Steel Look** windows are offered as fixed, casements, awnings and hopper configurations. Windows can be mullled to create long runs of fixed glazing which transition effortlessly into our T225 Doors.

Frame Depth: 2 ¼"
High Performance Glass:
1" dual-glazed, Low-E glass



Fixed



Size

Up to 5' wide, 10' tall

Thermally Broken:

Frames designed for improved energy performance.

Casement



Size

Casement sash up to 3' wide, 6' tall

Thermally Broken

Sashes and frames made with in-house Isobar technology for improved energy performance. Fixed units can be expanded simply by utilizing a wider Isobar to increase the glass thickness from 1" O.A. to 1 1/4" O.A.

Operation / Configuration

Crank-out or push-out operation options; available as single, double, triple, or multiple operating sashes; matching transoms available.

Hardware

Roto crank with butt hinges and multipoint casement lock.

Awning/Hopper



Size

Sash up to 6' wide, 3' tall

Available as single, double, triple or multiple operating sashes; matching transoms available. No project in windows, no inside glazed option.

Thermally Broken

Sashes and frames for improved energy performance.

Hardware

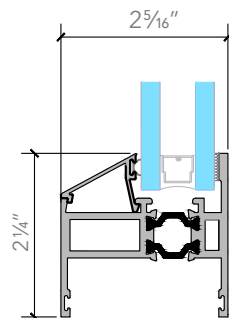
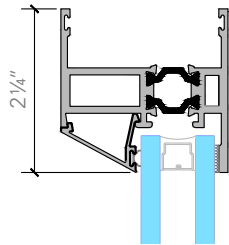
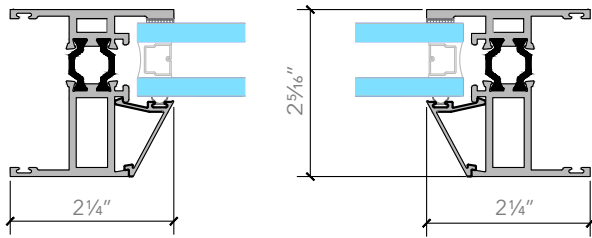
Awning: roto operated on butt hinges with a dual arm operator and multipoint locks, or as a push out on 4 bar friction hinges and locking cam handles. Hopper: Pull in operation with 4 bar friction hinges and inswing cam handles; for units mounted above doors or clearstory windows up high an option with ring cam handles or snap locks operated with a pole.



T225 Window Details (Beveled or Square Glass Stop Options are Available)

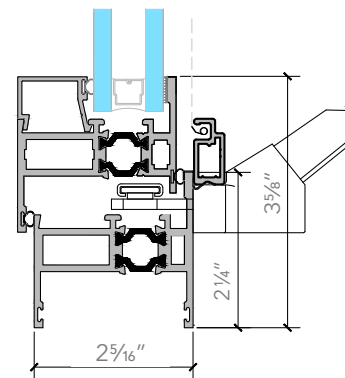
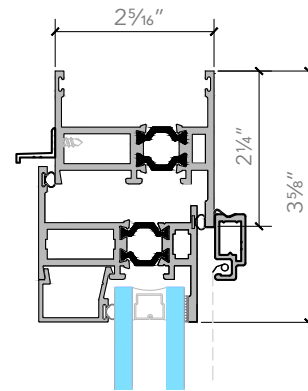
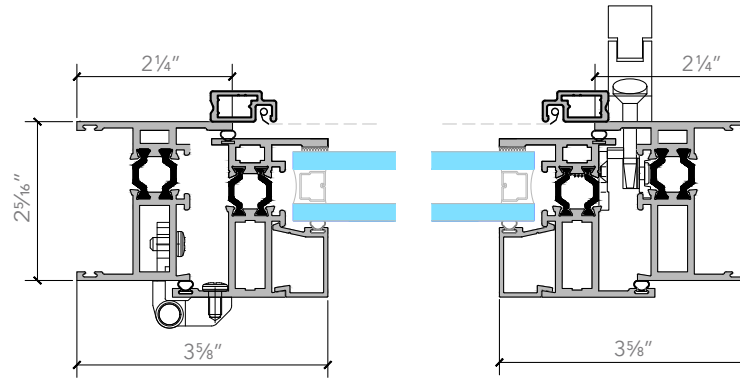
Fixed

Long equal leg frame shown



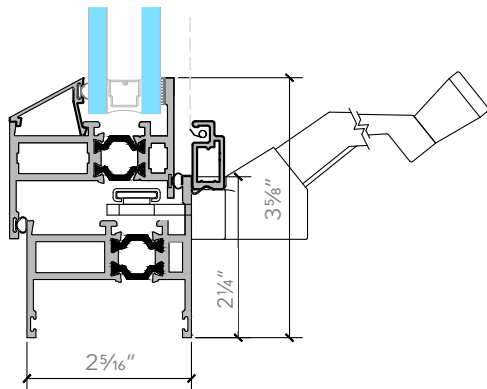
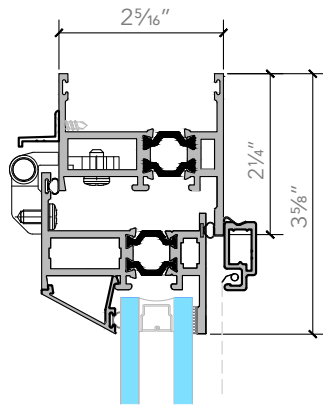
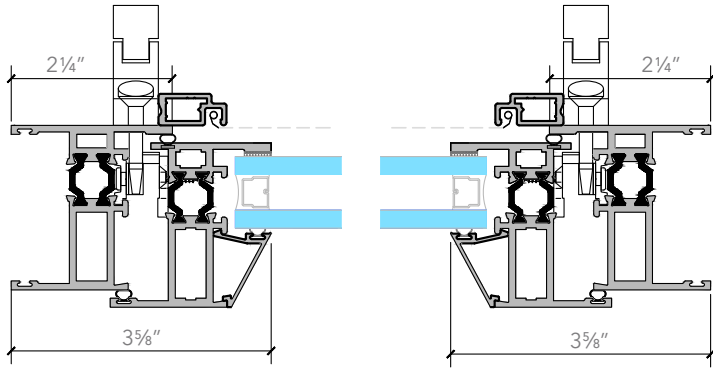
Casement

Shown with optional screen, multipoint and roto crank hardware



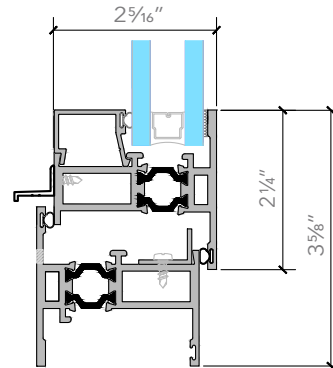
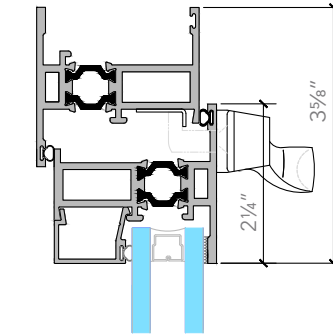
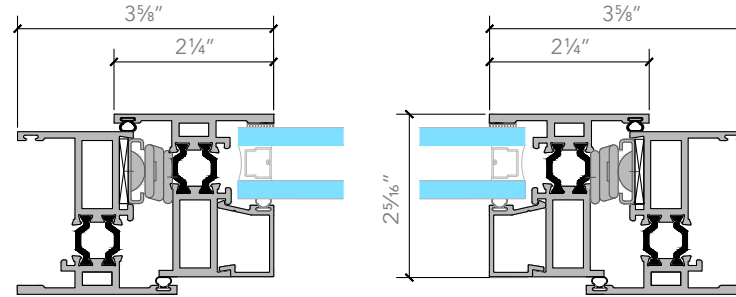
Awning

Shown with optional screen, multipoint and roto crank hardware



Hopper

Shown with friction hinges and cam handle, pull in operation.







T225 Swing Doors

Our T225 **Modern Look** or **Steel Look** doors are constructed with the same materials used in our T225 Windows, making the transition from door to sidelite seamless with continuity of design.

T225 Swing Doors

Size

Single door panel sizes up to 3'6" wide, 9' tall or 3' wide, 10' tall.

Hardware

3-point latch lock, throws shoot bolts top and bottom when the lever is raised, locks with key from the exterior and thumb turn interior.

Weather Tightness

Double weather stripped for maximum air and water resistance.

Configurations

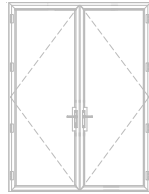
Inswing or outswing, single or pairs, with sidelite and transom options.



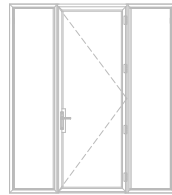
T225 Swing Door Configuration Options



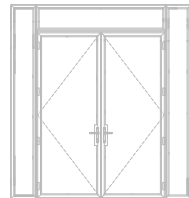
SINGLE



PAIR



SINGLE
MULLED SIDELITES



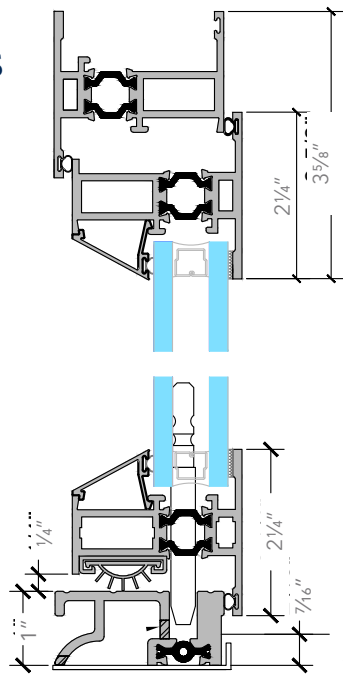
PAIR
MULLED SIDELITES
& TRANSOM



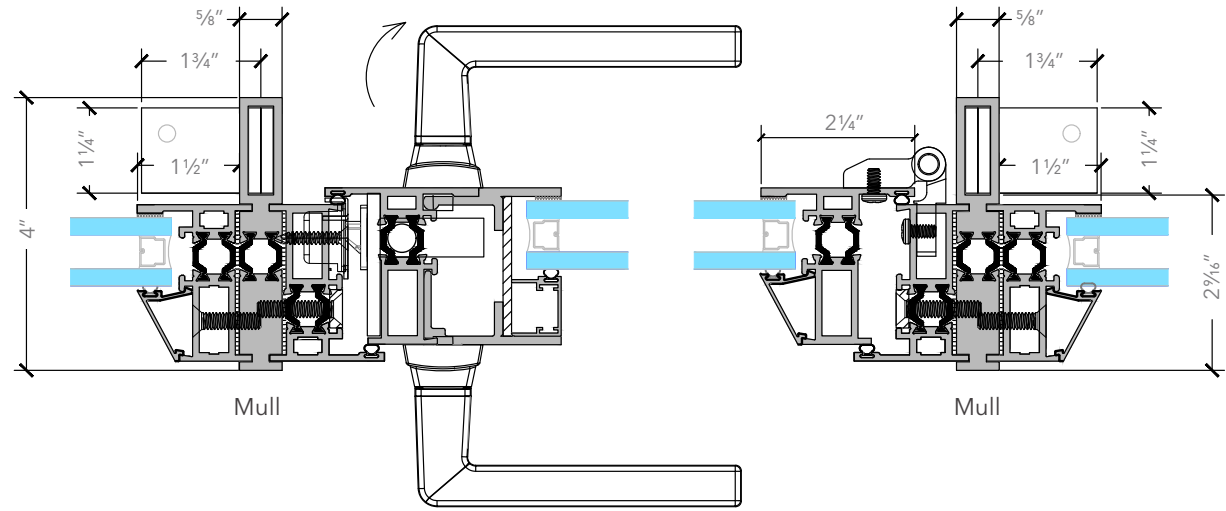
T225 Door Details

(Beveled or Square Glass Stop Options are Available)

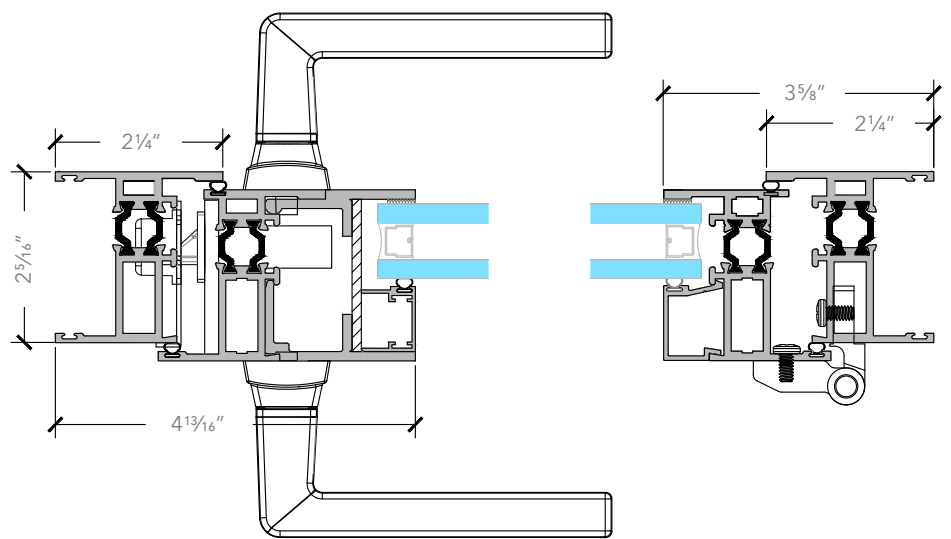
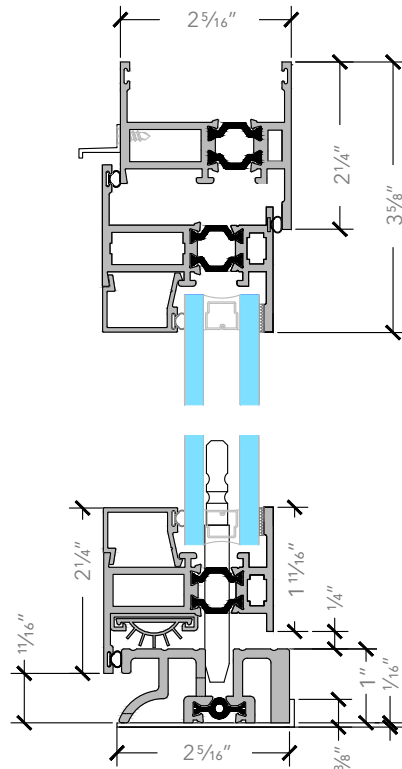
Inswing Single Door



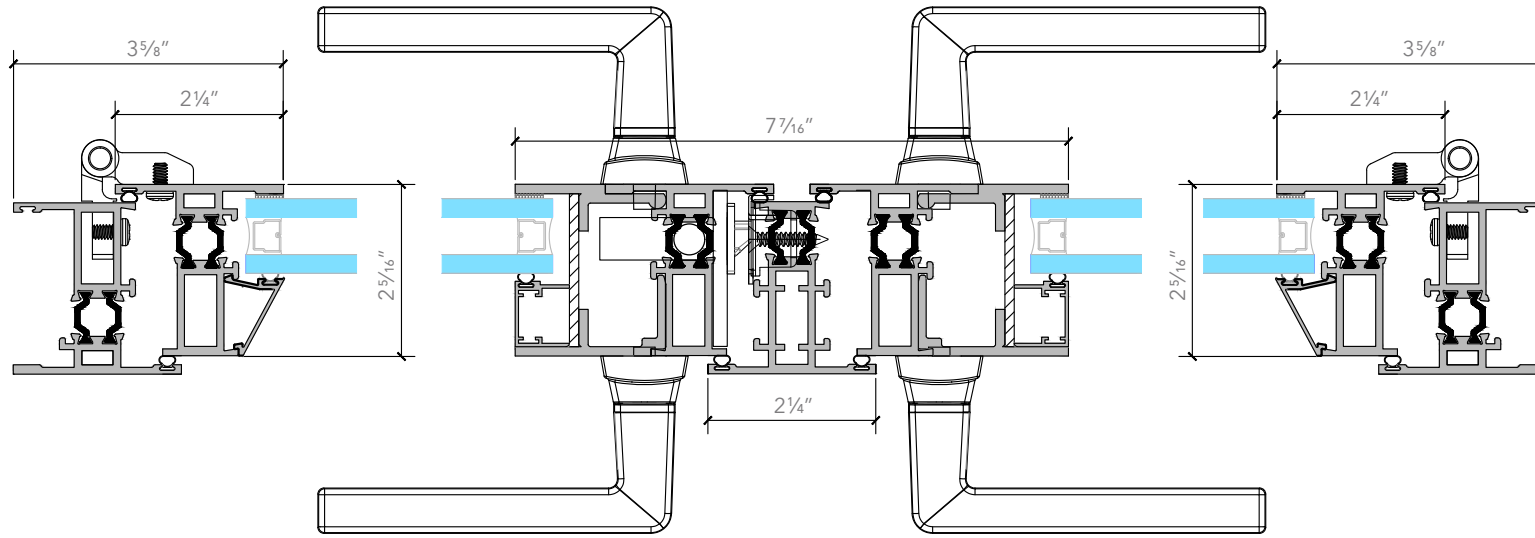
Sill pan by others required



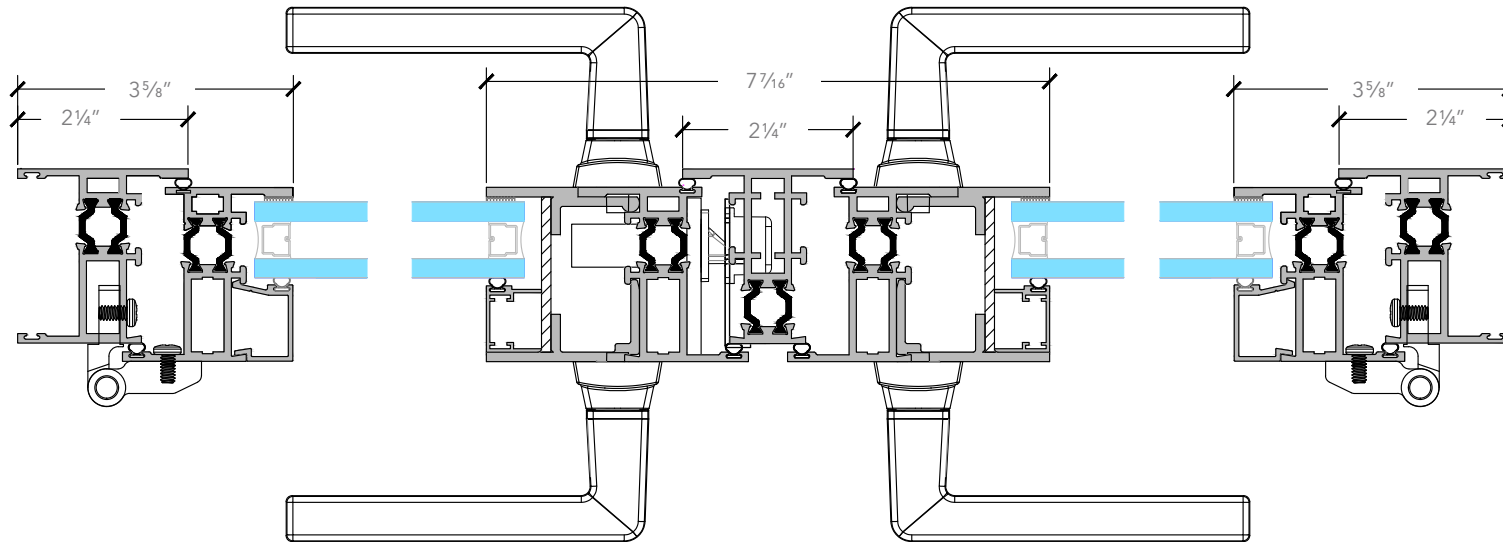
Outswing Single Door



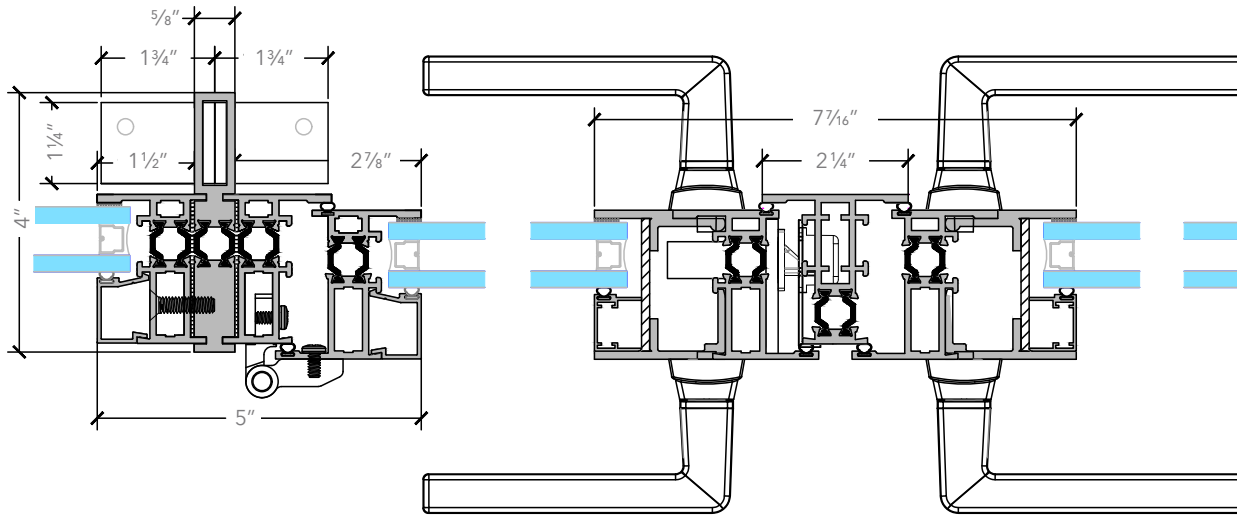
Inswing Pair



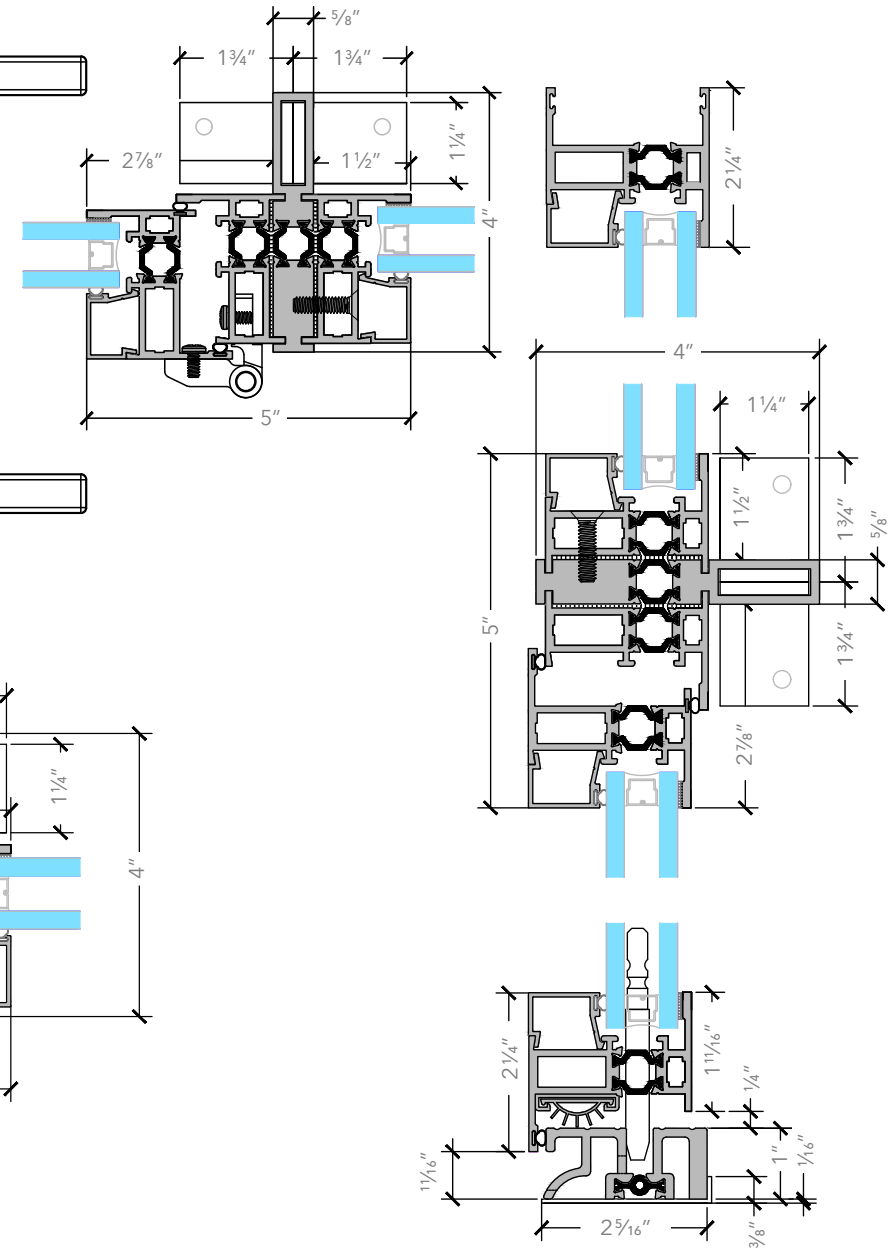
Outswing Pair



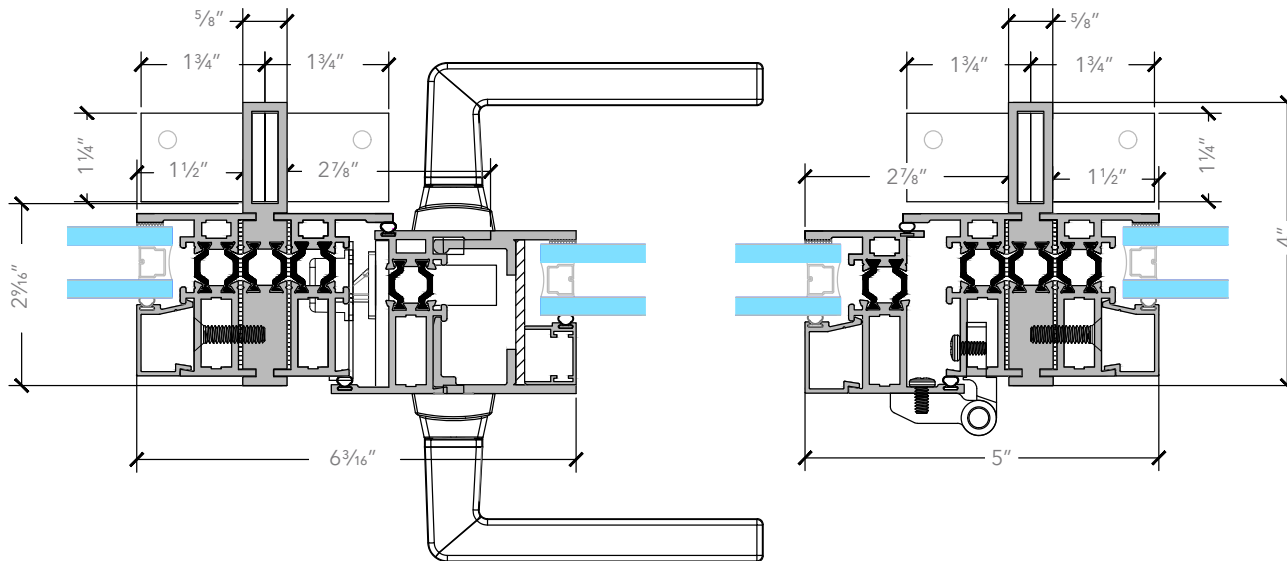
Outswing Pair with Mullled Sidelights and Transom



Outswing with Transom

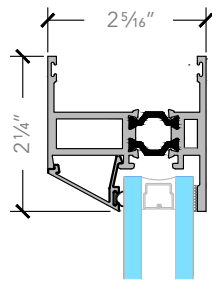
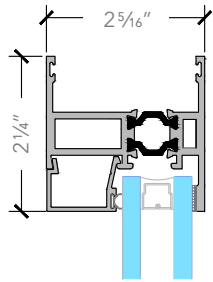


Outswing Single with Mullioned Sidelights

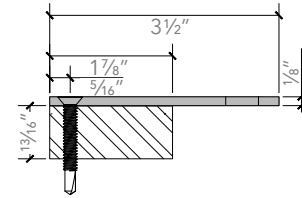


T225 Perimeter Frame Options

Long Equal Leg

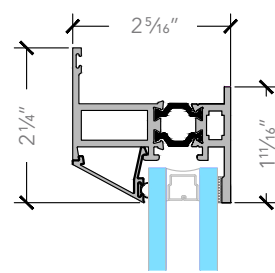
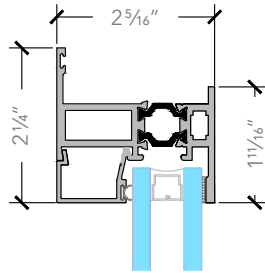


Long Leg Anchor Options

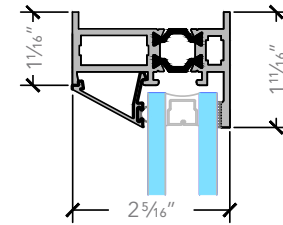
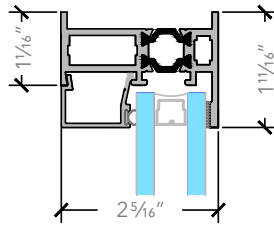


10-24 x 1 7/8"
Self Drilling Screw

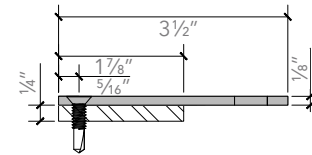
Long Short Leg



Short Equal Leg

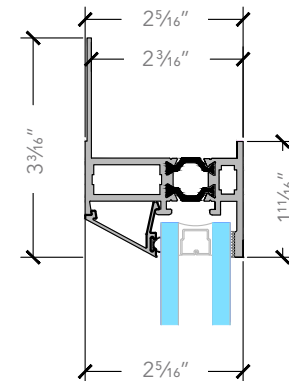
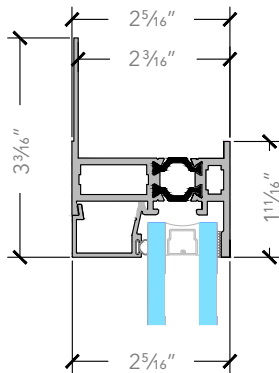


Short Leg Anchor Options



10-16 x 7/8"
Self Drilling Screw

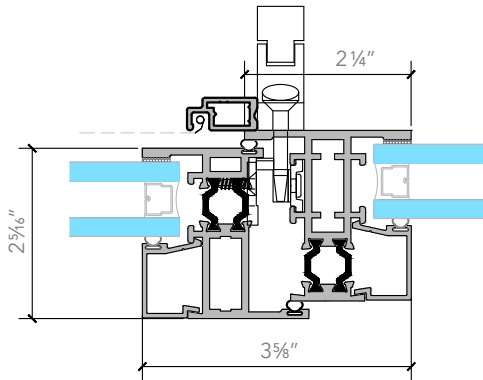
Flush Nail Fin



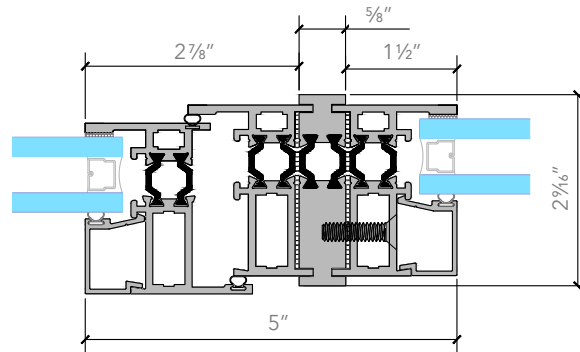
T225 Mulling Options

Windows can be mullered to create long runs of fixed glazing which transition effortlessly into our T225 French Doors.

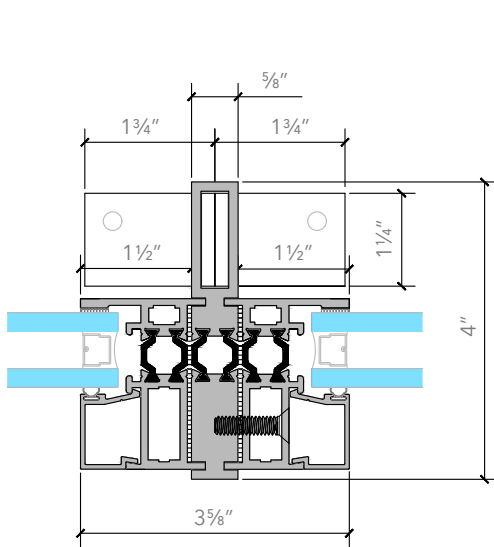
T-Mull



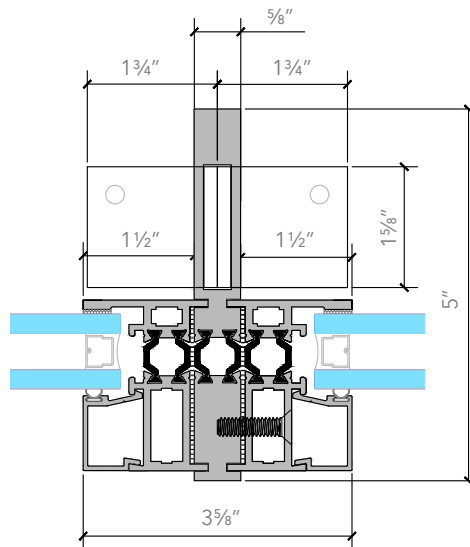
Flush Mull



4" Structural Mull



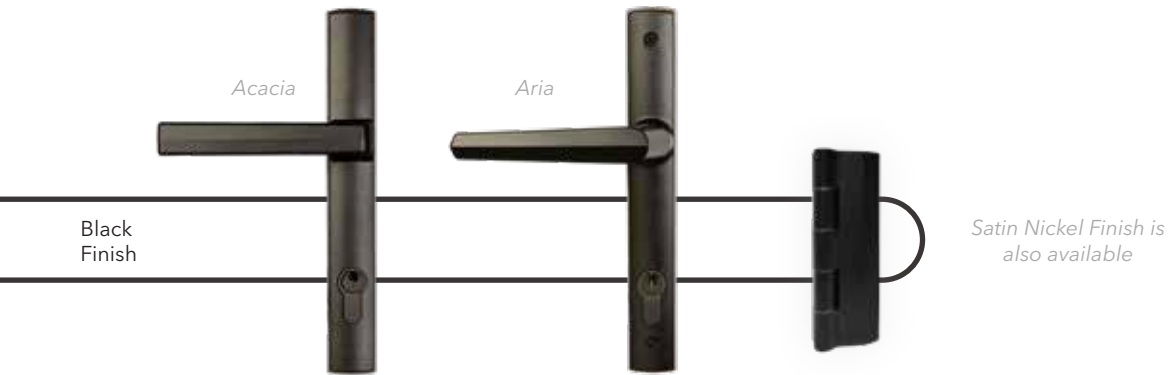
5" Structural Mull



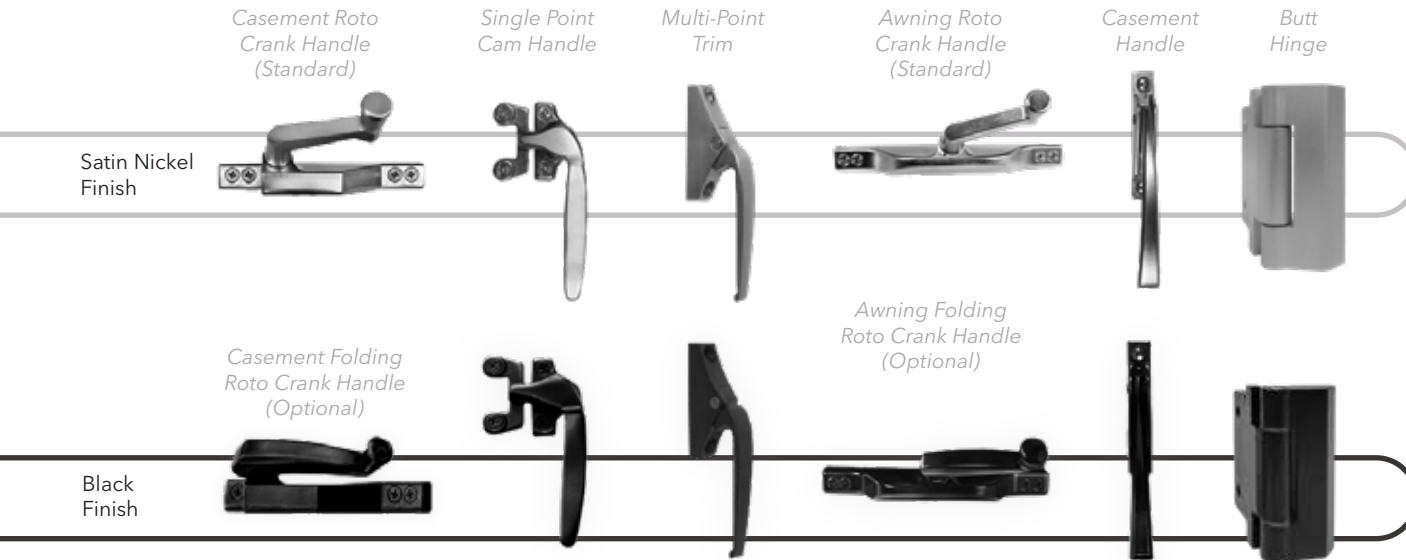




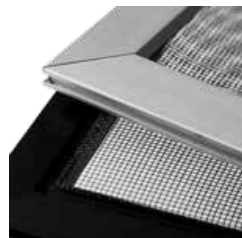
T225 Door Hardware Options



T225 Window Hardware Options



Concealed Friction Hinge
Stainless Steel Finish
(Max 15 sq ft)



Window Screen Options



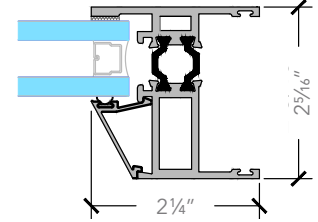
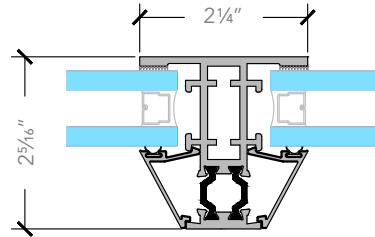
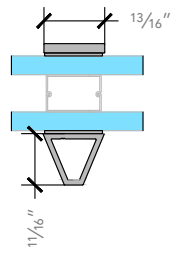
Screen Clip



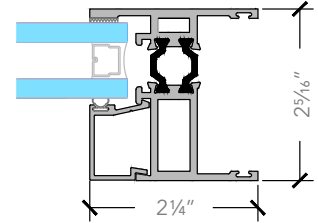
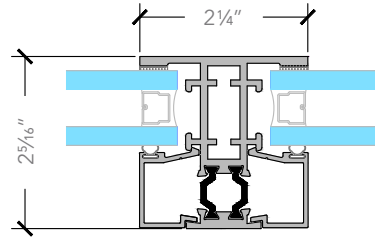
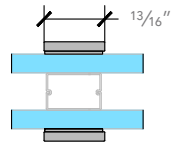


Glass Stop, SDL and TDL Muntin Options

Steel Look



Modern Look



3500T & 4000T Sliding Doors

Arcadia Custom Sliding Doors bring the beauty of external landscapes into the home while keeping extreme temperatures and harsh elements of any season at bay.

More Design Flexibility

The ultimate balance of style and utility

The 3500T is a luxury conventional sliding door with premium quality, elite precision bearing with tandem wheels for easy operational glide. The 3500T is a multifaceted option for any residential projects where exterior or interior sliding doors inhabit. All Arcadia Custom products can be manufactured with simulated divided lites (SDL) for a **Steel Look**, or without for a **Modern Look** design.

Inviting natural light in, with expanded views

Available in an unlimited number of door panels, the 4000T Multi-Slide Door is the best way to create an indoor/outdoor space. The sleek, unobtrusive design allows you to completely open up parts of your home to outdoor living spaces in a seamless fashion. This system is available in both pocketing and corner configurations allowing for a truly transformative degree of design flexibility.

Superior Performance

Our 3500T and 4000T doors are expert engineered for thermal performance to meet demand for improved energy efficiency. We offer a wide variety of sizes, high performance glass options and configurations, all of which are NFRC tested with low U-value ratings for reduced energy consumption.

Efficiency, Quality & Value

Arcadia Custom anodizes and paints in house for reduced handling, and control of finishing quality and costs. We also glaze all of our sliding products to reduce handling and installation time.





3500T & 4000T

Thermal Aluminum Sliding Doors

3500T Specifications

Size

Individual door panel sizes up to 6' wide, 12' tall, with individual glass not to exceed 70 sq. ft. if Cardinal Glass (50 sq. ft. if Guardian Glass).

Thermally Broken

Door panels and frames are thermally broken for improved energy performance.

High Performance Glass

1" dual-glazed, Low-E glass, see Technical Specifications for NFRC Chart

Frame Depth

4 3/4"

Hardware

Stainless steel mortise lock with 3" diameter marine-grade, stainless steel precision bearing rollers.

Track

Marine-grade, non-corrosive stainless steel for optimum EZ-gliding performance.

Additional Options

Floor Track Sill

4 3/4" x 1 7/8"

Screens

2 1/2" x 1" aluminum sliding screen door, assembled with stainless steel components, available with a charcoal insect mesh or invisivue screen mesh.

Jamb Type

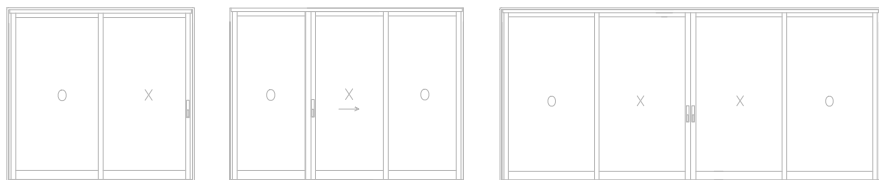
Block Frame or Nail Fin

High Load Interlock

This option is recommended on doors over 8' tall, or exceeding 50 sq. ft., for additional wind load requirements and increased structural integrity; see technical specifications.

Configurations

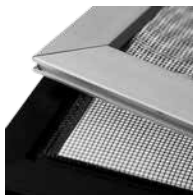
Available as OX, OXO, & OXXO configurations



Additional Options



4 3/4" x 1 7/8"
Floor Track Sill



2 1/2" x 1" Aluminum
Sliding Screen Door



Block Frame
Jamb Type



Nail Fin



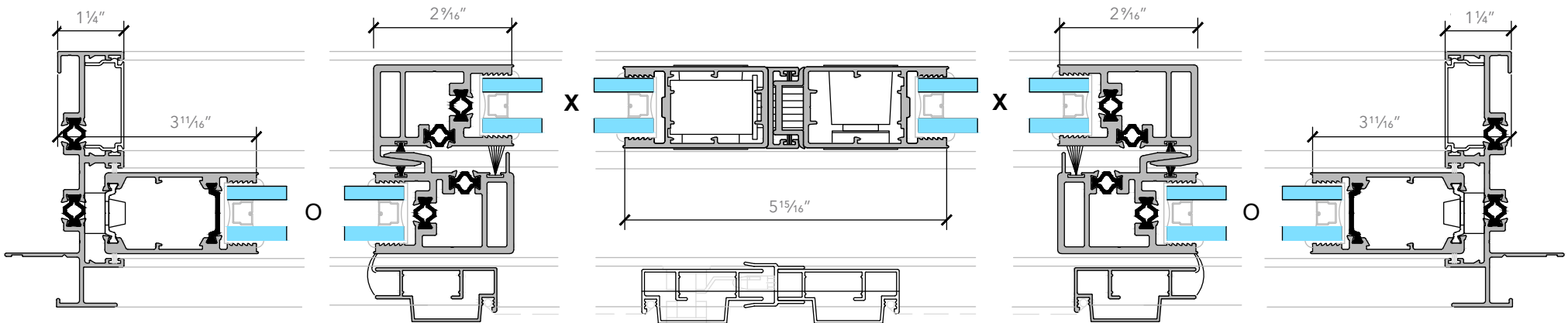
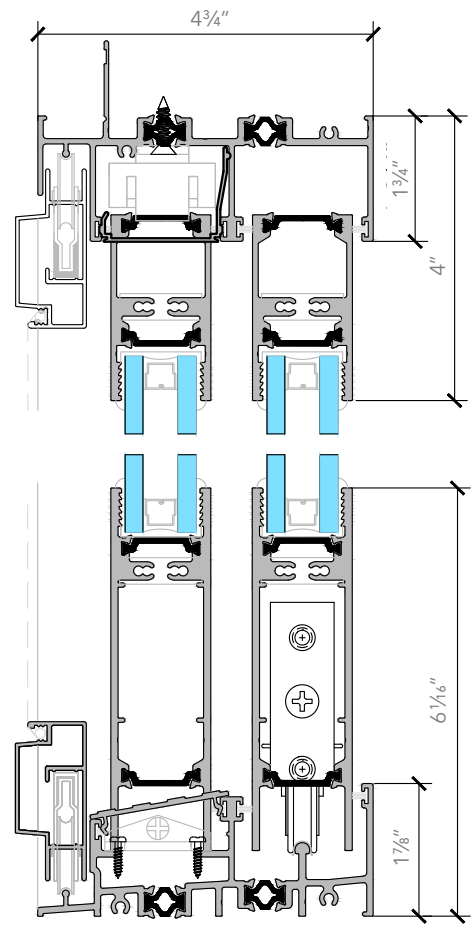
High Load
Interlocker



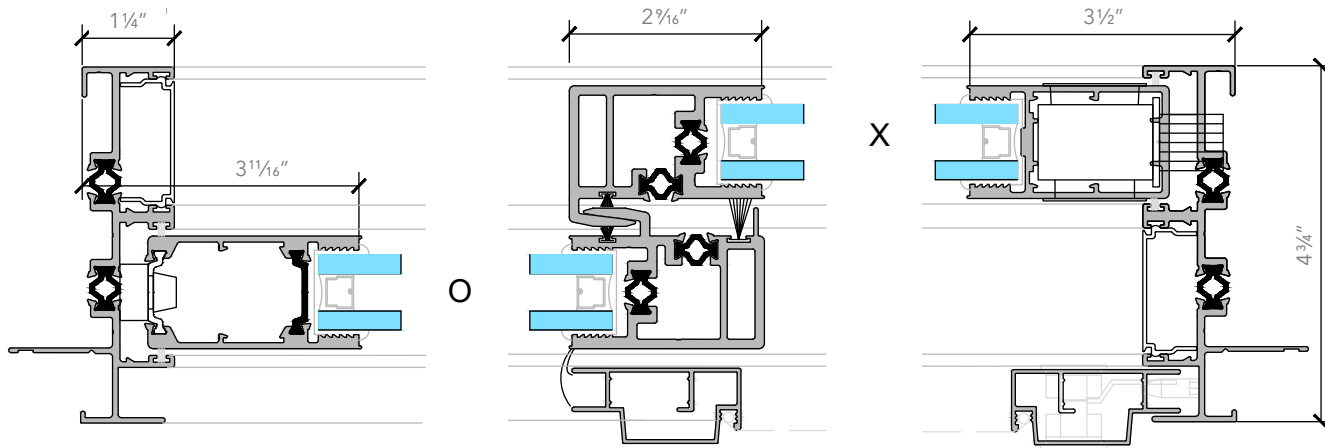
3500T
Sliding Door



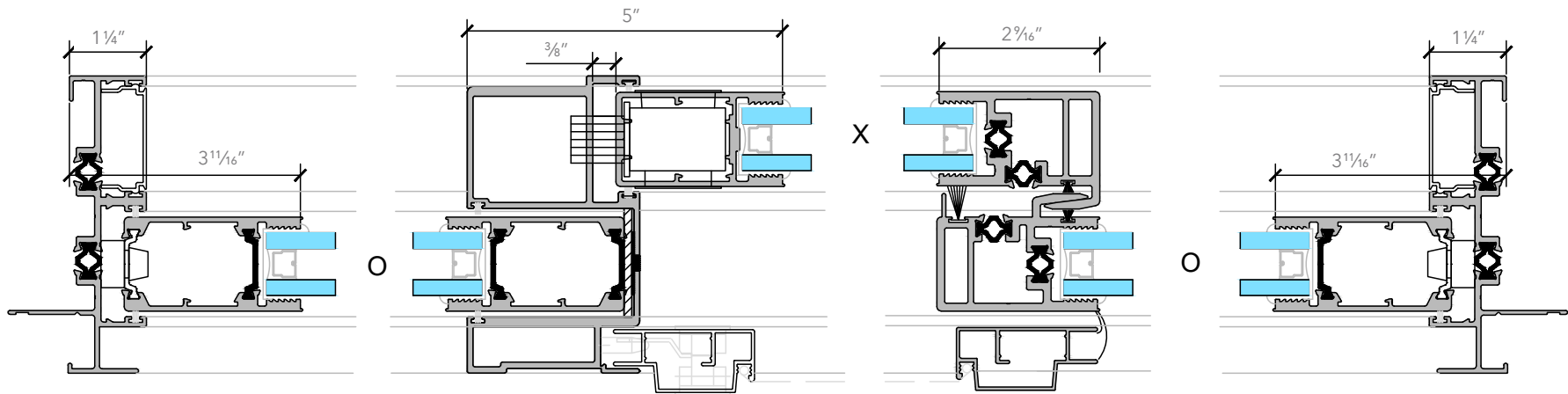
3500T OXXO Slider



3500T OX Slider



3500T OXO Slider



4000T Specifications

Size

Individual door panel sizes up to 6' wide, 12' tall, with individual glass not to exceed 70 sq. ft. if Cardinal Glass (50 sq. ft. if Guardian Glass).

Thermally Broken

Door panels and frames are thermally broken for improved energy performance.

High Performance Glass

1" dual-glazed, Low-E glass

Frame Depth

2" per wide per panel

Hardware

Stainless steel mortise lock with 3" diameter marine-grade, stainless steel precision bearing rollers.

Track

Marine-grade, non-corrosive stainless steel for optimum EZ-gliding performance.

Additional Options

Floor Track Sills

A variety of sills are available. Refer to page 30 of this brochure or contact us.

Screens

Heavy duty screen is built using the same stiles, rails and hardware as all other 4000T sliding panels utilizing a screen insert that receives a charcoal insect mesh or Invisivue screen mesh.

Jamb Type

Block Frame or Nail Fin

High Load Interlock

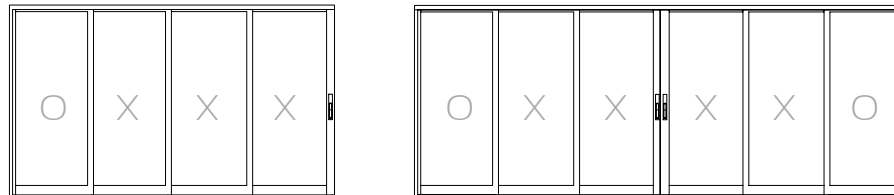
This option is recommended on doors over 8' tall, or exceeding 50 sq. ft., for additional wind load requirements and increased structural integrity; see technical specifications.

Sample Configurations. Others are available.

Configurations

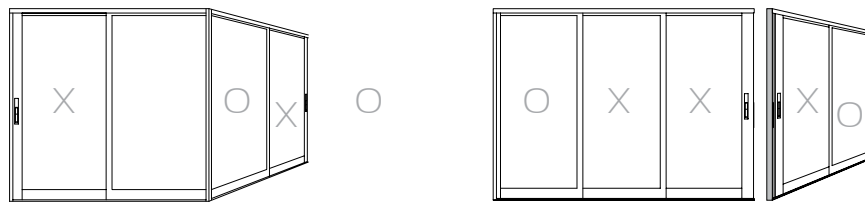
Multi-Slide Doors can be configured as a standard wall jamb or pocket sliding door system with almost any number of sliding door panels. They can also be configured as a 90 degree corner door configuration. For other configurations please contact us.

Wall-to-Wall Jamb | Standard

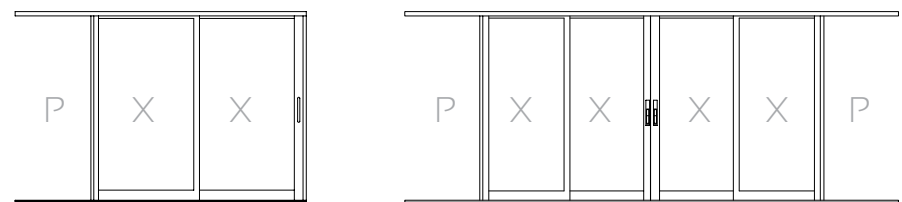


Additional Options

Corner



Pocket



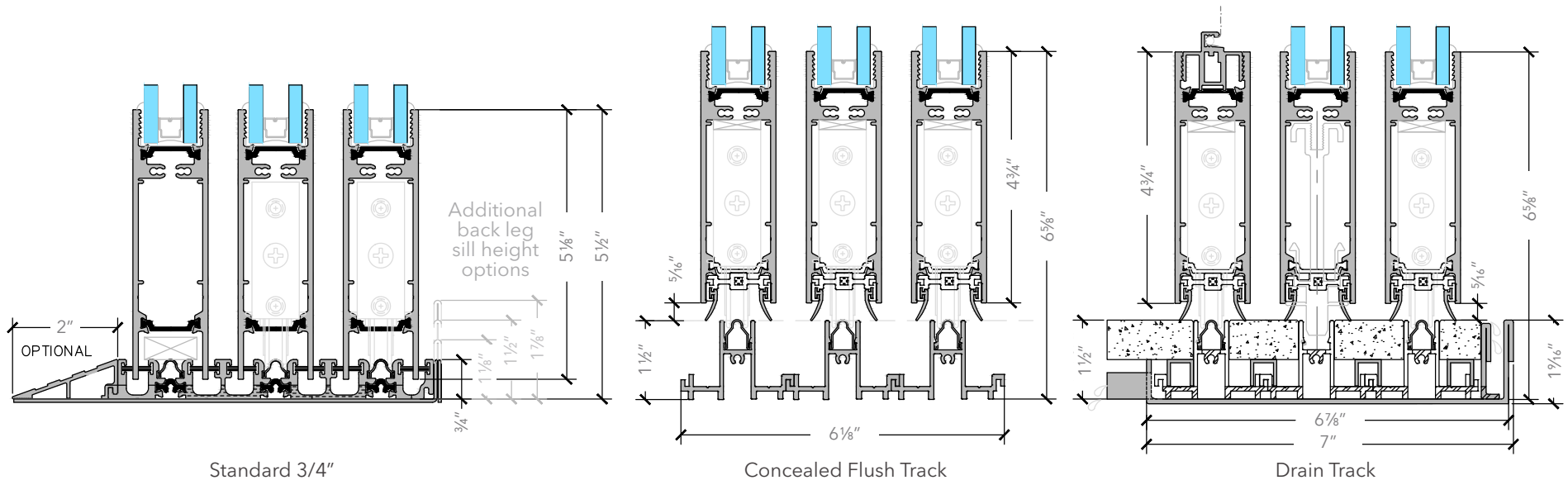


4000T
Multi-Slide Door

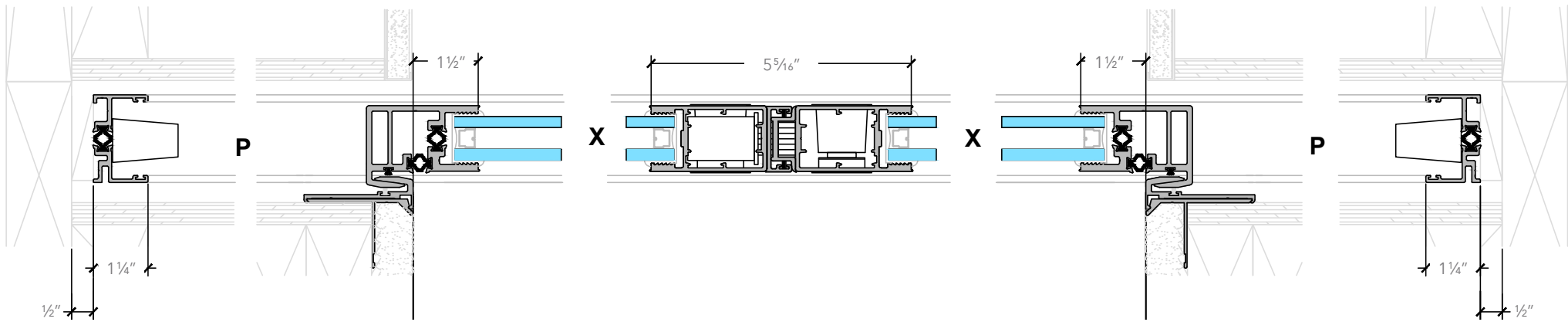


4000T Sill Types

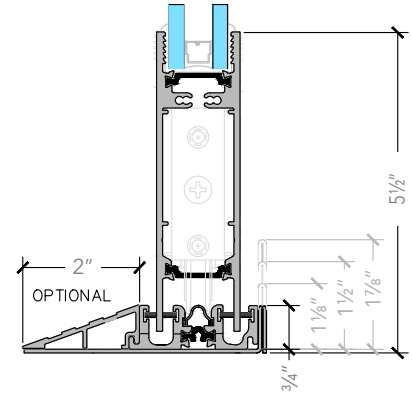
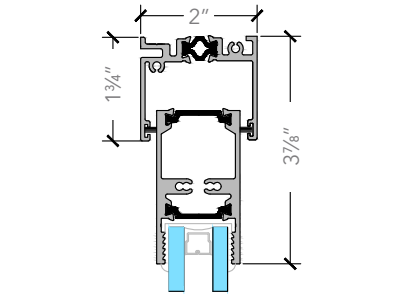
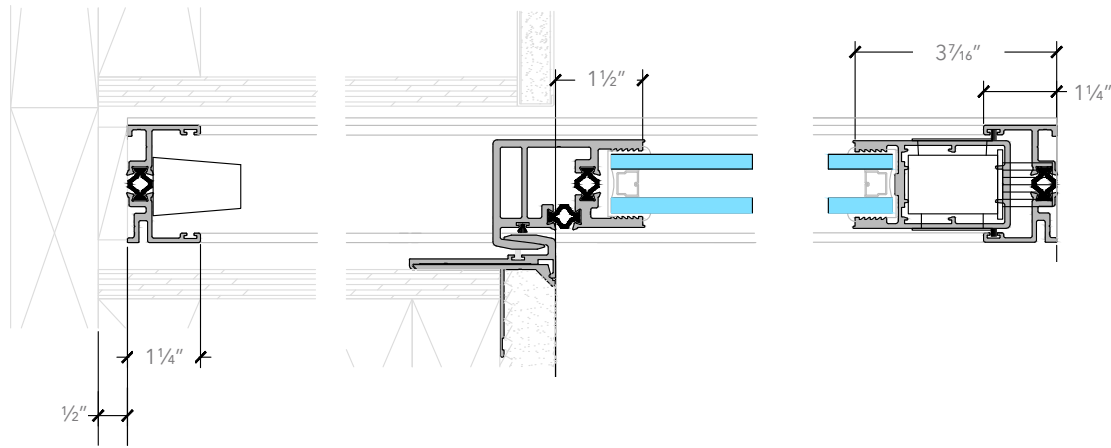
Standard backleg 3/4" additional options available



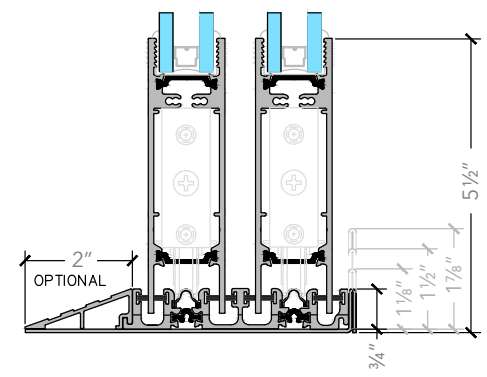
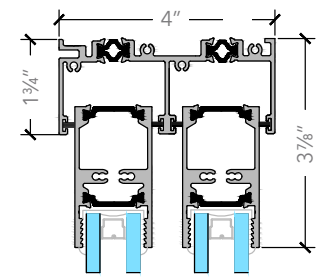
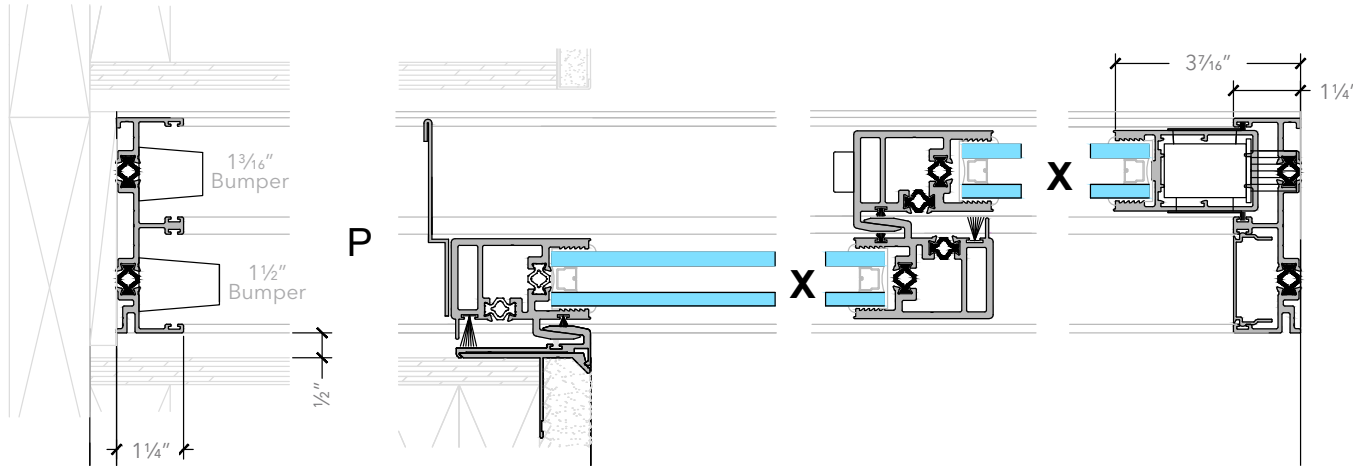
4000T PXXP

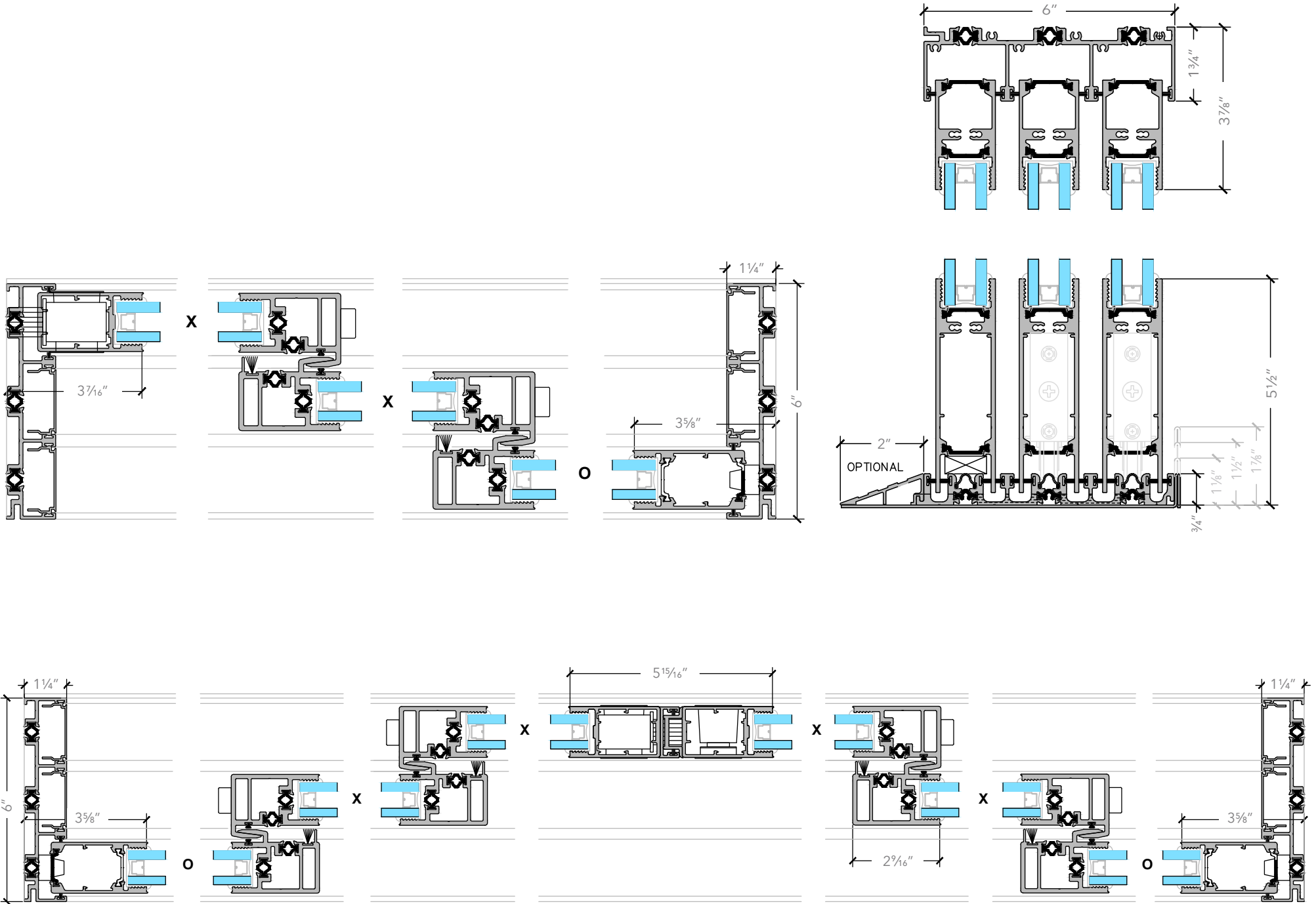


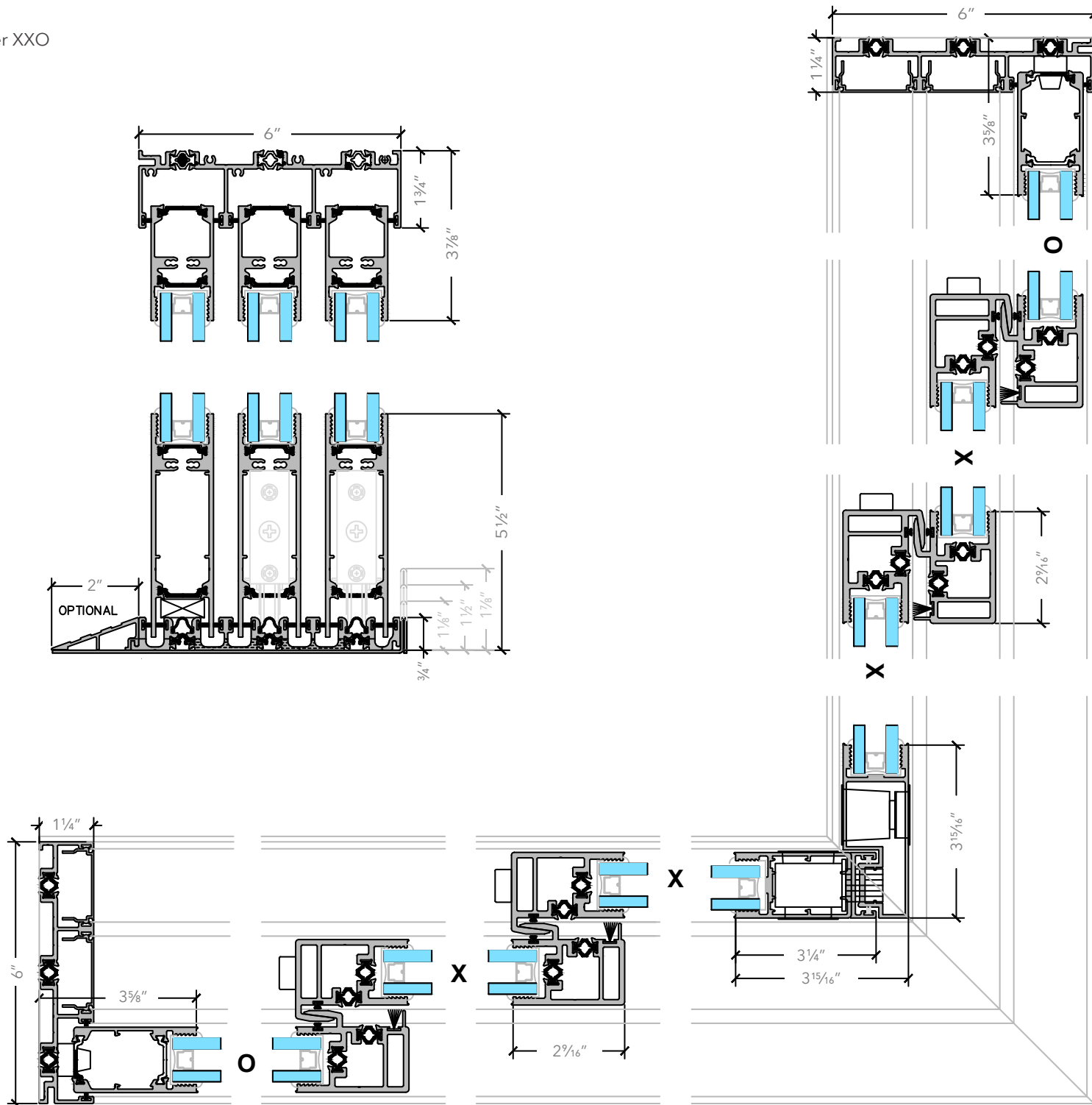
4000T PX Pocket



4000T PXX







3500T & 4000T Door Hardware Options

Satin Nickel
Finish



*Slim Stile Handle
(Exterior)
Optional Keyed
Cylinder*

*Slim Stile
Handle
(Interior)*

*Wire Pull Handle
(Interior)
Optional Keyed
Cylinder Exterior*

Black
Finish



*Slim Stile Handle
(Exterior)
Optional Keyed
Cylinder*

*Slim Stile
Handle
(Interior)*

*Wire Pull Handle
(Interior)
Optional Keyed
Cylinder Exterior
3500T Only*



*Optional Exterior
Keyed Cylinder
3500T or 4000T*

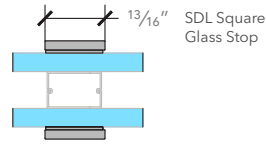


*Optional Interior
Thumbturn Lock
3500T Only*

*3" EZ-Glide
Stainless Steel
Rollers*



SDL Muntins





9000T Thin Line Sliding Doors

The 9000T Aluminum Thin Line Sliding Door is designed for large format glass panels with minimal frames and $\frac{3}{4}$ " sight lines. Designed, engineered and built in America, these doors address diverse performance challenges while meeting architectural needs and providing contemporary comfort. The system features double point locking that supports a sense of resistance and security.

Product Specifications

Size

Door panel sizes up to 6' wide, 12' tall, with individual glass not to exceed 72 sq. ft. (glass types vary and may restrict door size).

Thermally Broken

Door panels and frames are thermally broken for improved energy performance.

High Performance Glass

1½" dual-glazed, Low-E glass

Frame Depth

2 $\frac{7}{16}$ " Single Track, 5 $\frac{3}{8}$ " Double Track and 8 $\frac{5}{16}$ " Triple Track

Hardware

Flush pull integrated into the stile of the lead panel.

Track

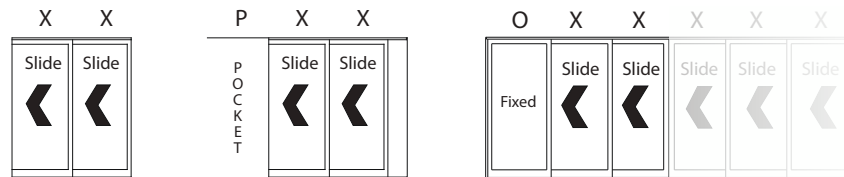
The recessed tracks allow for a seamless transition from inside out, paired with flush to finish head and jambs for clean sightlines maximizing any view.

Sill

Self-draining sill with optional drain fittings to divert water to the desired location.

Configurations

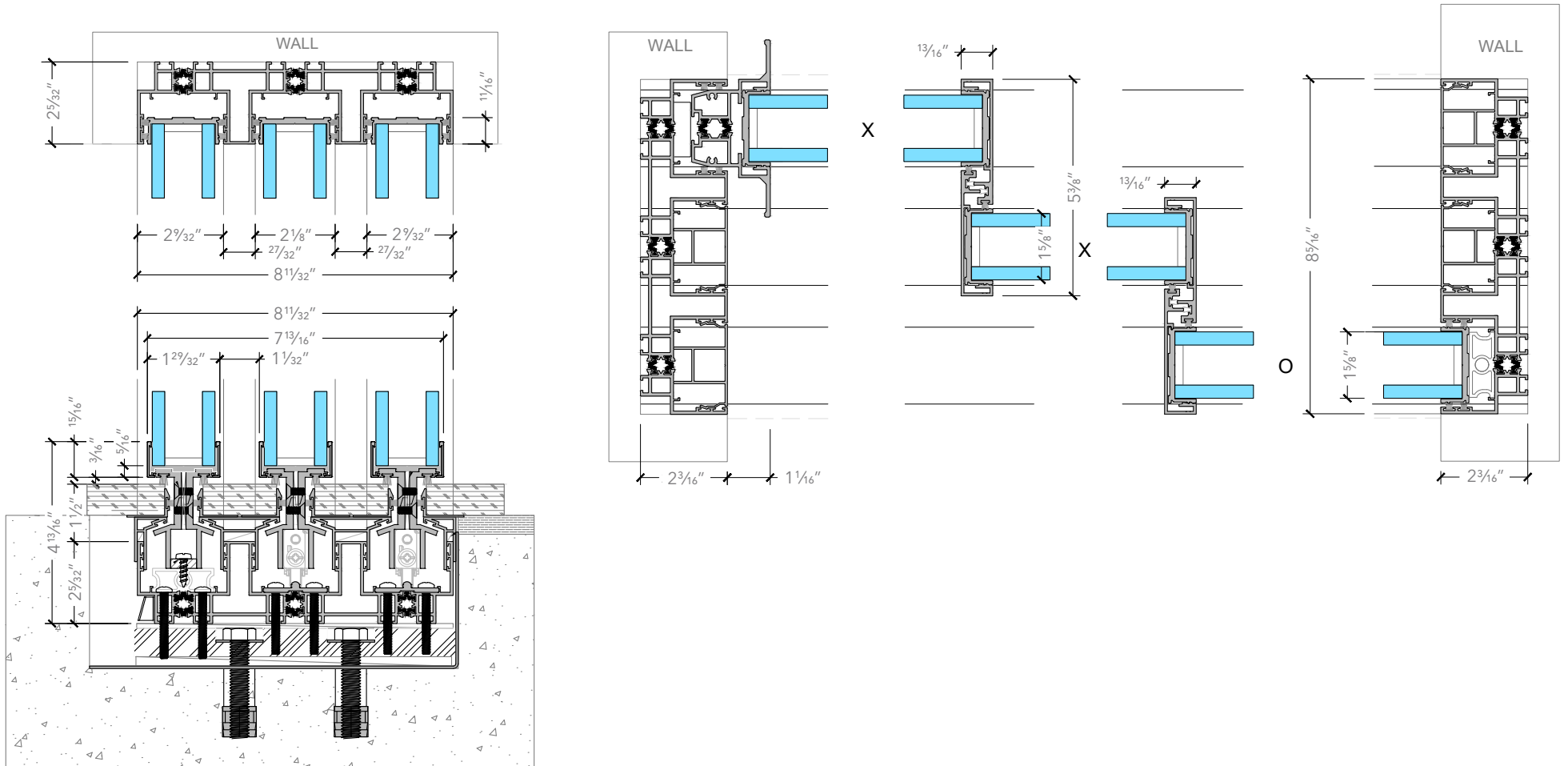
Available as XX, PXX, OXX and any number of additional X panels.





9000T
Thermal Aluminum Thin
Line Sliding Doors





Oasis 10000 Multi-Fold Doors

Thermally broken, high-performance, and energy efficient, the Oasis 10000 Multi-Fold Door is a top-hung system for large openings. Door panels can be folded away to reveal an uninterrupted view when open, yet remain in the same plane when closed. Removing the need for fixed panels or structural posts allows for maximum sunlight and fresh air to enter the room. Designed and engineered as an outswing for maximum weather performance.





OASIS

Thermal Aluminum Multi-Fold Doors

Oasis 10000 Specifications

Size

Individual door panels up to 39" wide, 10' tall, not to exceed 220 lbs. Overall door system length a maximum of 52' wide, 10' tall.

Thermally Broken

Door panels and frames for improved energy performance.

High Performance Glass

1" dual-glazed, Low-E glass, see Technical Specifications for NFRC Chart

Frame Depth

6 1/2"

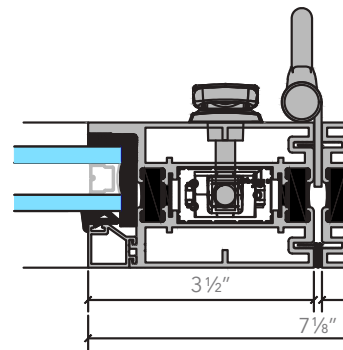
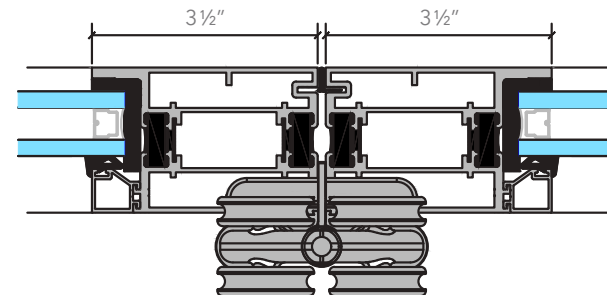
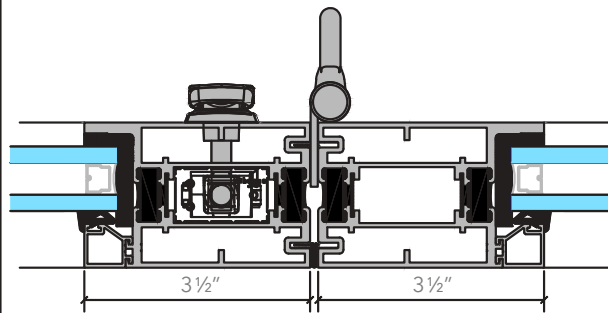
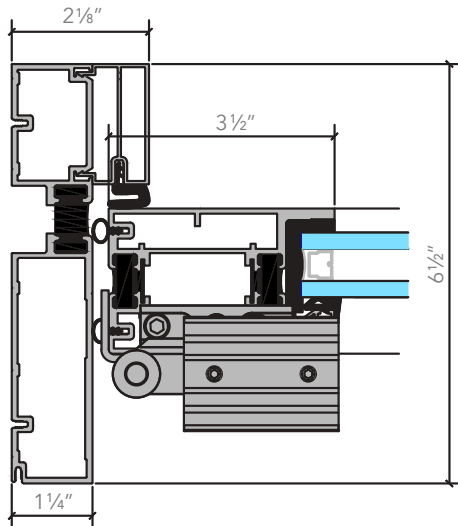
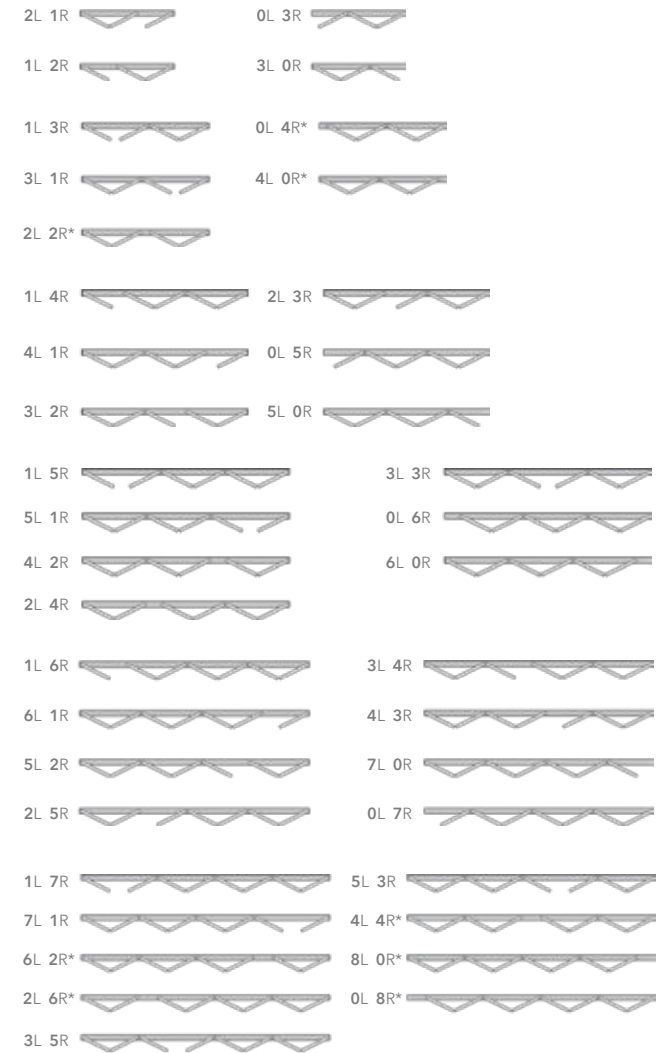
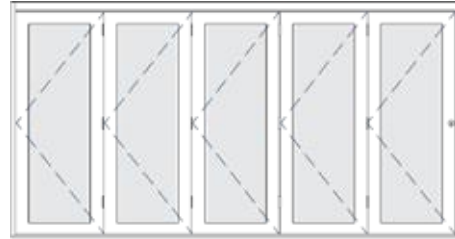
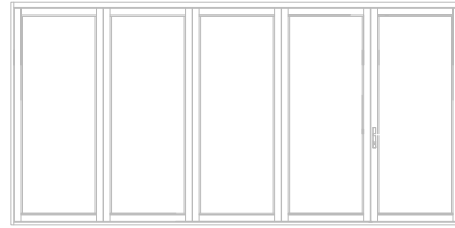
Hardware

Stainless steel precision bearing top rollers, intermediate pivot hinges.

Twin-Point Lock

Streamline twin-point locks keep doors secure when closed and provide for easy, one-handed operation; sturdy 2 1/4" thick door profile.

Configurations



Available Hardware

Multipoint Handles



Brushed Nickel Finish



Black Finish

Handles



Acacia Handle
Standard
(Black & Satin)



Aria Handle
Optional
(Black & Satin)



Aria Twin Bold Lock Handle
Standard
(Black & Satin)

Door Stops



Magnetic Door Catch
for Swing Door
(Black & Satin)



Magnetic Door Catch
for Folding Panel
(Black)

Locks



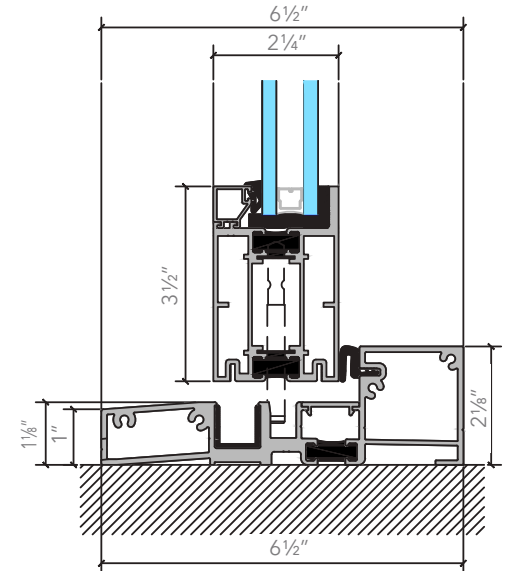
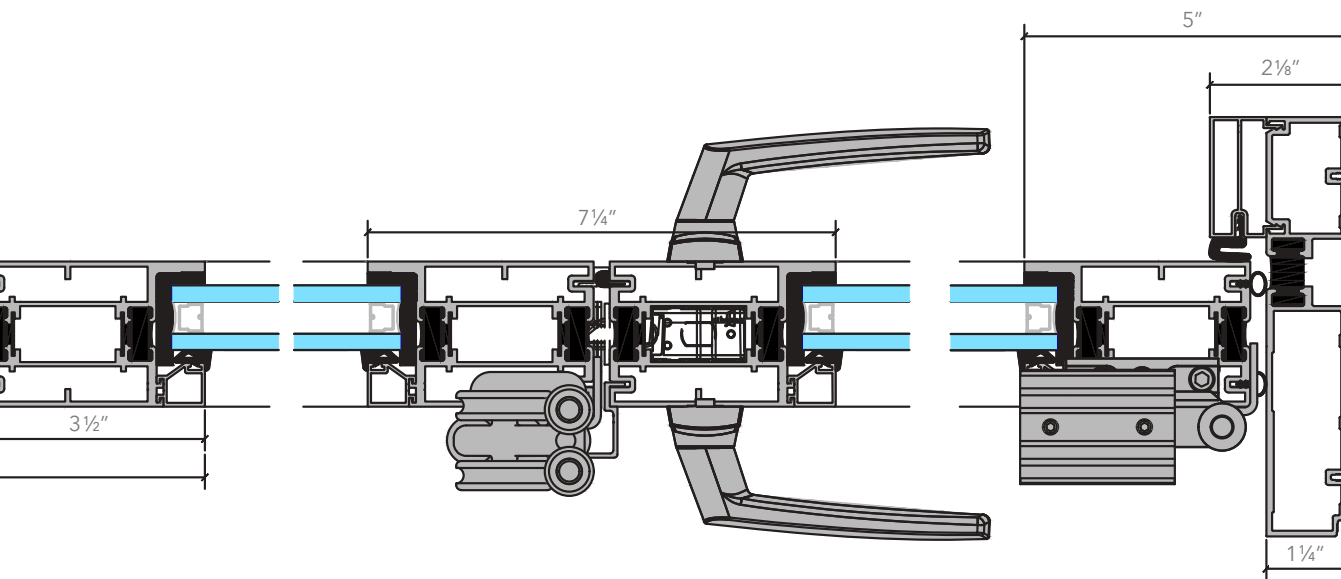
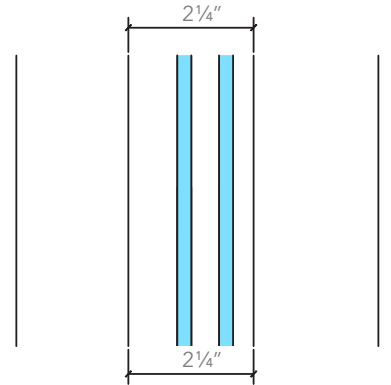
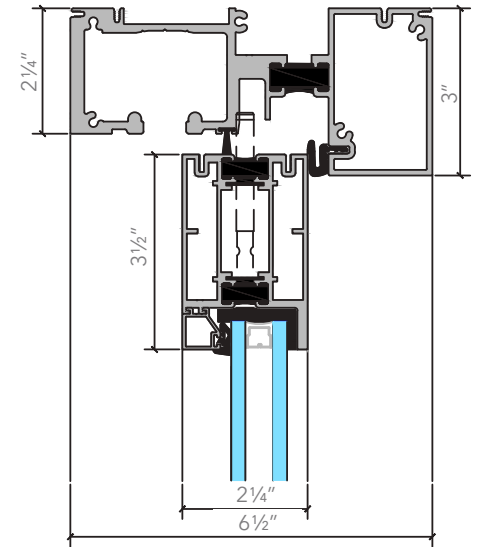
Euro Profile Cylinder
Standard
(Black & Satin)



(4-Point) Mortice
Deadbolt Lock
Standard
(Satin)



Euro Profile Half
Cylinder Optional
(Black & Satin)



Entrada 532 Pivot Doors

The Entrada 532 Pivot Door is perfectly balanced to effortlessly pivot open in dramatic fashion. A heavy-duty concealed floor, and header center-hung pivot hardware set, allow for completely functional, large statement doors. The Entrada is available with your choice of sidelites and/or transom.

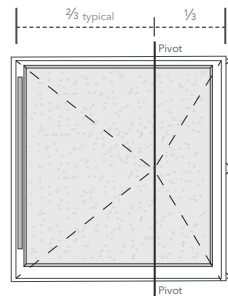
Product Specifications

- Size**
Single door panel sizes up to 6' wide, 10' tall
- High Performance Glass**
1" dual-glazed, Low-E glass
- Frame Depth**
4 1/2"
- Hardware**
Center-hung pivot hardware with mortise deadbolt, ladder pull, and roller catches.







Configurations

Available as Inswing or Outswing with Sidelite Options



Additional Options

-  4" x 1 1/2" Low Profile Sill
-  Block Frame Jamb Type
-  Concealed Floor Closer
-  Bottom Rail Closer (T225 Pivot Only)

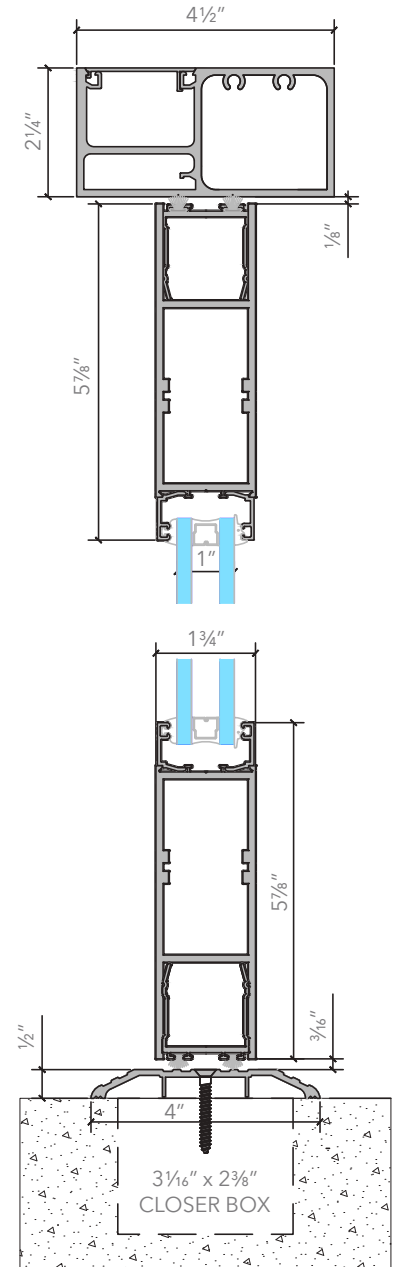
Glass Stop & Muntin Options

Use muntins to create interest or fit particular architectural designs. Our Entrada 532 Pivot Door can be ordered with custom grid patterns in either SDL or TDL options. For True Divided Lite details contact your Arcadia Custom Distributor.

Available Hardware

-  Ladder Pull
Brushed Stainless or Matte Black Finish
-  Roller Catch
-  Optional Exterior Keyed Cylinder
-  Optional Interior Thumbturn Lock

NEW!
T225
Pivot Door
Now Available



Entrada 532
Pivot Doors



CV200

Featuring zero sight lines (*no visible exterior frame sight line buildup*) and excellent functionality, this parallel and projecting window pairs nicely with our narrow 3/4" vertical profile 9000T thin line sliding door, as well as an operable window in our TC470 window wall.

Product Specifications

Size

Parallel / Casement sash up to 3' wide, 6' high
Awning / Hopper sash up to 6' wide, 3' high
Fixed up to 3' wide, 6' high

High Performance Glass

1" dual-glazed, Low-E glass
Acoustic STC Option Available

Frame Depth

3/4"

Hardware

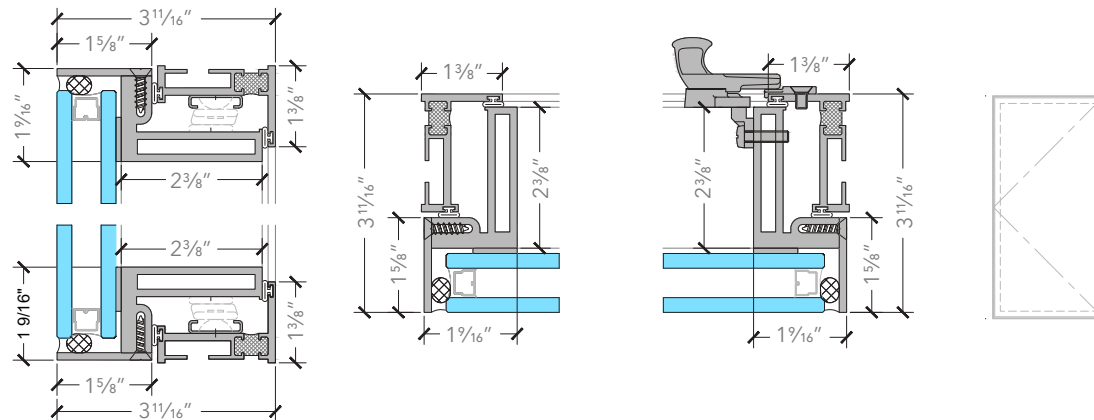
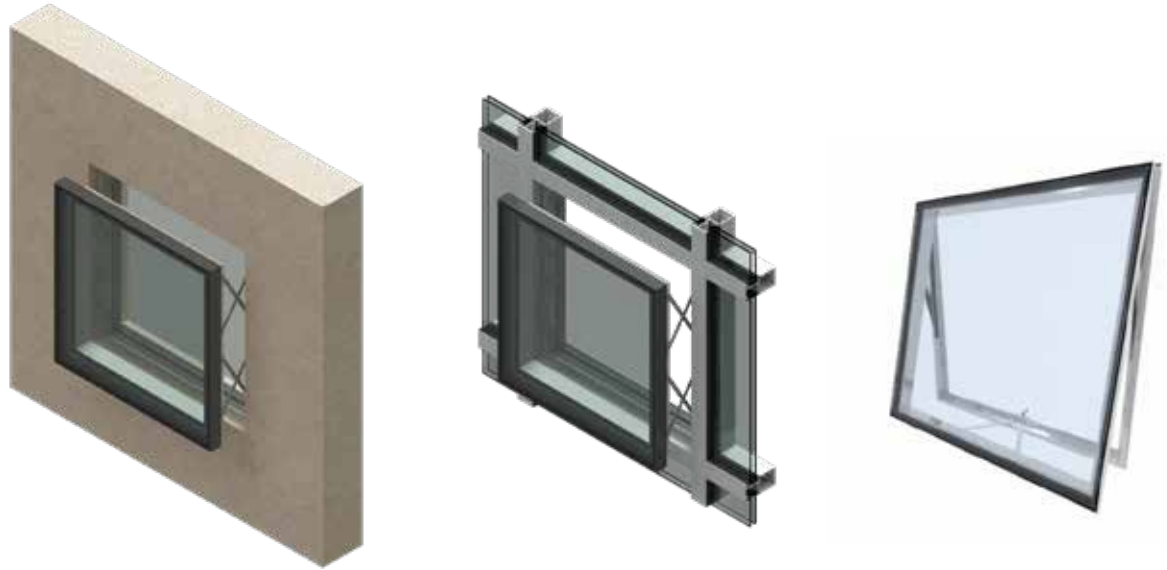
Single arm roto crank with butt hinges and multipoint casement lock; push out cam locks with stainless steel 4 bar friction hinges; optional clerestory hardware available.

Configurations

Fixed, Casement, Awning; No project in windows;
No inside glazed option.

Jamb Types

Block Frame or Nail Fin



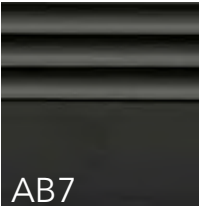


CV200
Windows

Colors & Finishes

Stock Finishes

Dark Bronze Anodized AB7
Arcadia Custom Kynar Black Paint



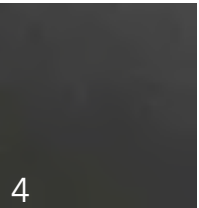
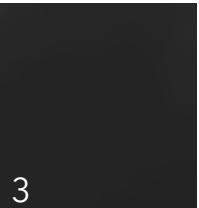
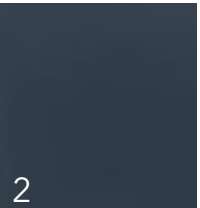
Standard Anodized

Clear Anodized AC1



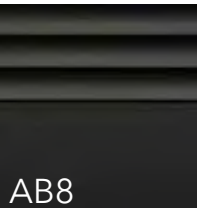
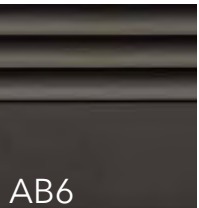
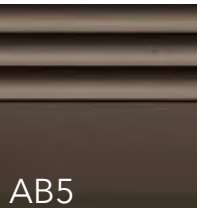
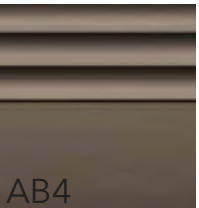
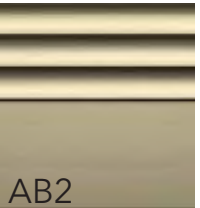
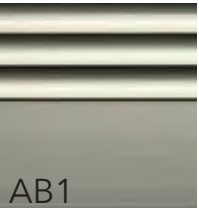
Standard Paint Colors

- 1) Bone White
- 2) Charcoal Gray
- 3) Sift Espresso Smooth
- 4) Statuary Bronze
- 5) Quaker Bronze

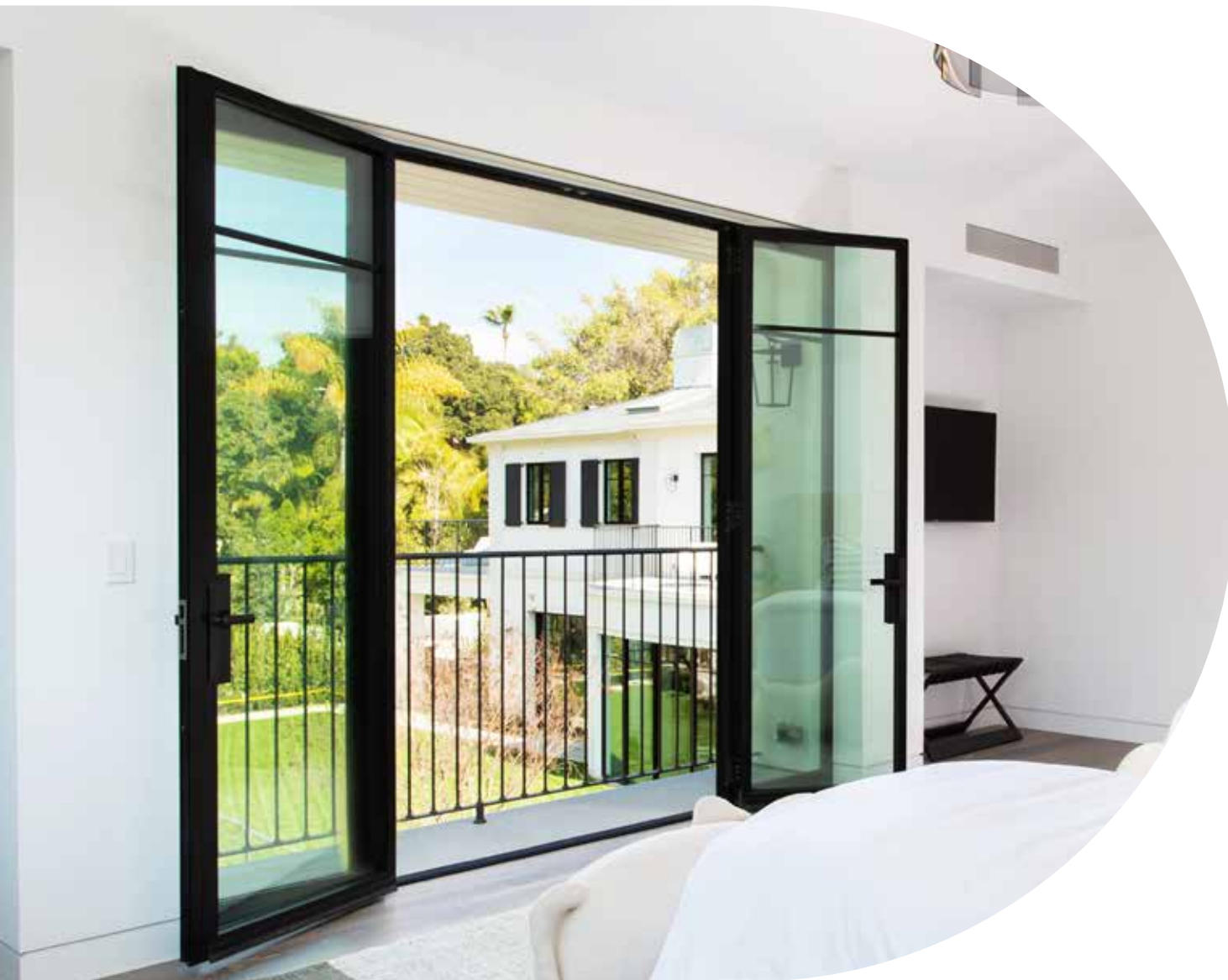


Premium Anodize and Custom Paint Colors

Are available upon request and require longer lead-times







Powerful Architectural Design



[arcadiacustom.com](https://www.arcadiacustom.com) | 2323 E. Firestone Blvd, Bldg 105, South Gate, CA 90280, (323) 329-8972 | 110 Viaduct Rd, Stamford, CT 06907, (203) 316-8000

Product designs & specifications are subject to change. Consult your Arcadia Custom distributor or [arcadiacustom.com](https://www.arcadiacustom.com) for current information.